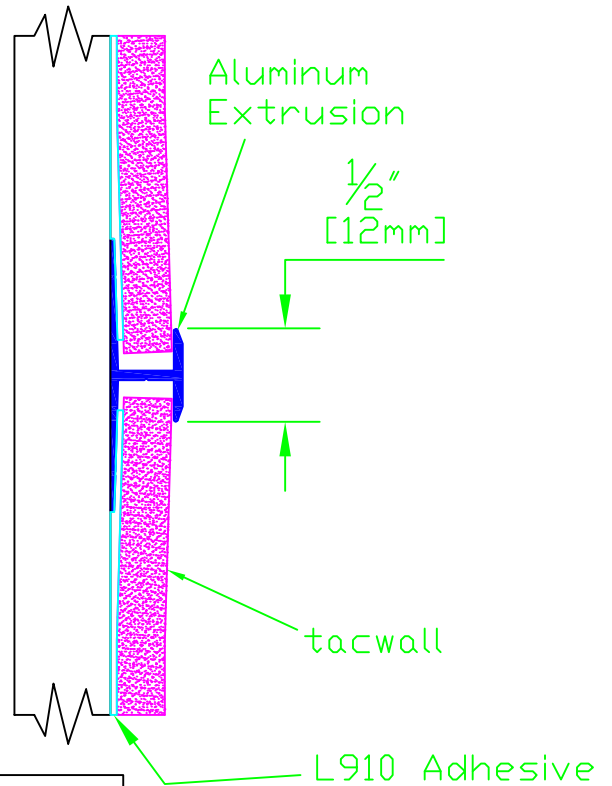


J Trim

PART NUMBER	PART NUMBER
J2XX	H2XX



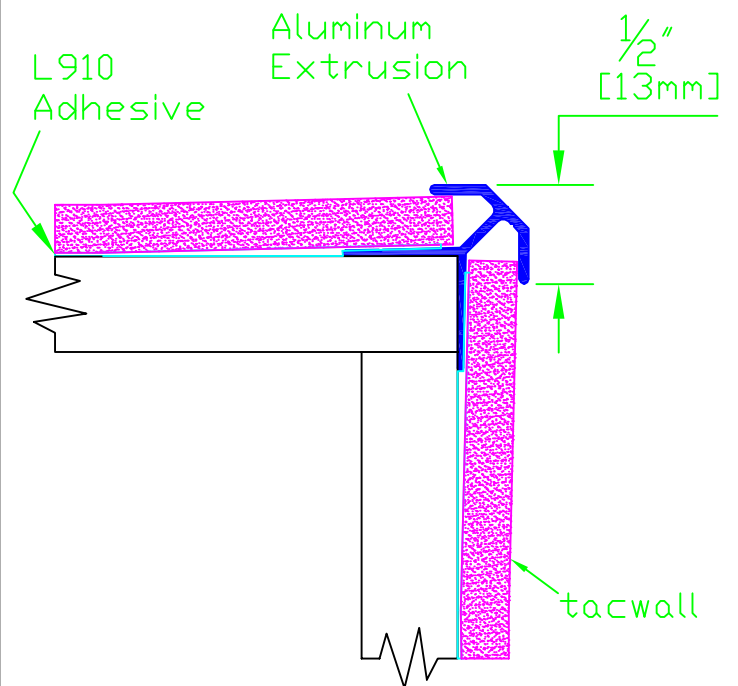
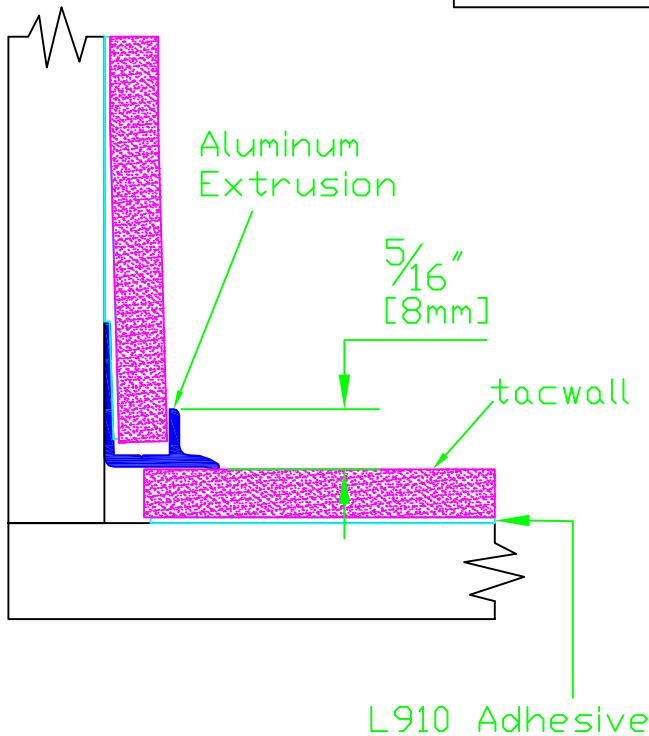
H Trim

(XX = 08', OR 12' LENGTHS)

Inside Trim

PART NUMBER	PART NUMBER
I2XX	O2XX

Outside Trim



walltalkers

a division of RJF International Corporation
 PO Box 182, Muncy, PA 17756
 (800)820-9255
 www.walltalkers.com

tacwall aluminum trim

Aluminum Trim may be mechanically fastened with drywall screws or bonded with L910 adhesive or construction adhesive.

DRAWING NO.